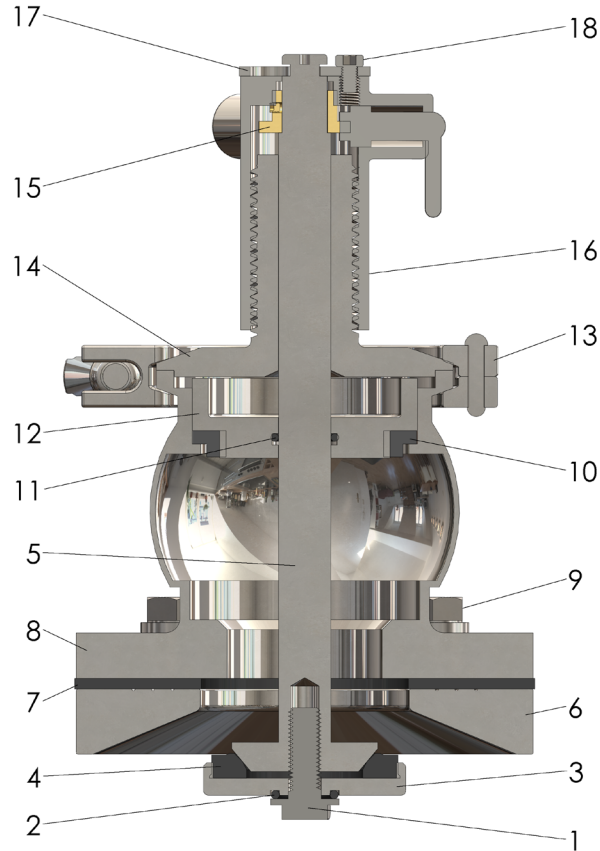




Dixon Sanitary SV-Series Single Seat Hygienic Valves

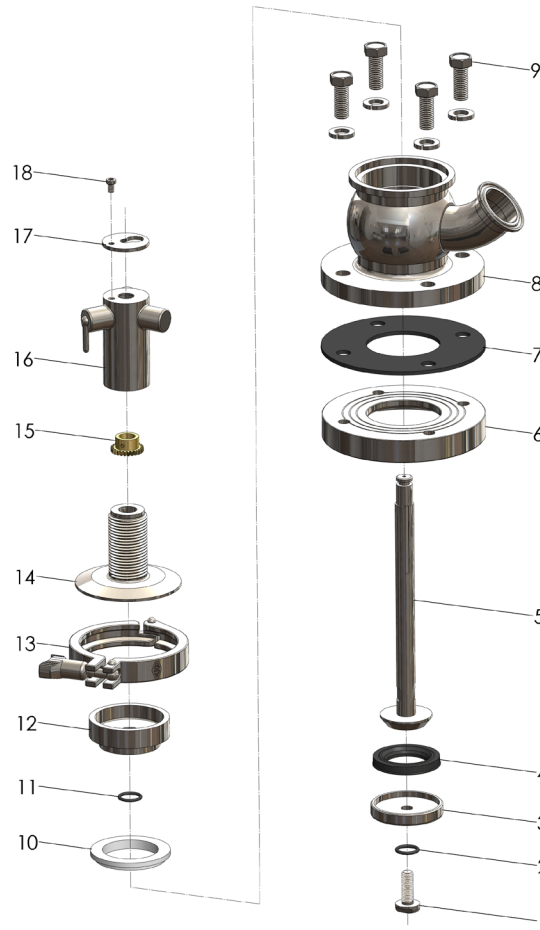
SV-Series 1.5" - 3" Tank Body Valve / Up To Open - Manual



Bill of Materials

Item No.	Qty	Description	Part #			
			1.5"	2"	2.5"	3"
1	1	Seat Bolt	SV-SBS150300			
2	1	Seat Bolt O-Ring	SV-OEB150300			
3	1	Seat Washer for Long Tank Stem	SV-SWTL150	SV-SWTL200	SV-SWTL250	SV-SWTL300
4	1	Seat Seal	SV-KE200	SV-KE250		SV-KE300
5	1	Long Manual Stem for Tank	SV-SLMT150	SV-SLMT200	SV-SLMT250	SV-SLMT300
6	1	Tank Flange, Up to Open	SV-TFO150	SV-TFO200	SV-TFO250	SV-TFO300
7	1	Flange Seat	SV-TFSV150	SV-TFSV200	SV-TFSV250	SV-TFSV300
8	1	Tank Body	SV-TBLC150	SV-TBLC200	SV-TBLC250	SV-TBLC300
9	4	Tank Flange Bolt	SV-TFBM12X25			
10	1	Tank Body Seal	SV-TBSP150	SV-TBSP200	SV-TBSP250	SV-TBSP300
11	1	Tank Bottom Cover O-Ring	SV-TBCOE150200		SV-TBCOE250300	
12	1	Tank Flange Bottom Cover	SV-TFBC150	SV-TFBC200	SV-TFBC250	SV-TFBC300
13	1	Clamp	13MHHM300SN		13MHHM400SN	
14	1	Rotating Stem	SV-SR150200		SV-SR250300	
15	1	Fixed Gear	SV-HFG150400			
16	1	Handle	SV-H150200		SV-H250300	
17	1	Round Clip	SV-HRC150300			
18	1	Sink Bolt	SV-HM5X6			

SV-Series 1.5" - 3" Tank Body Valve / Up To Open - Manual



Bill of Materials

Item No.	Qty	Description	Part #			
			1.5"	2"	2.5"	3"
1	1	Seat Bolt	SV-SBS150300			
2	1	Seat Bolt O-Ring	SV-OEB150300			
3	1	Seat Washer for Long Tank Stem	SV-SWTL150	SV-SWTL200	SV-SWTL250	SV-SWTL300
4	1	Seat Seal	SV-KE200	SV-KE250		SV-KE300
5	1	Long Manual Stem for Tank	SV-SLMT150	SV-SLMT200	SV-SLMT250	SV-SLMT300
6	1	Tank Flange, Up to Open	SV-TFO150	SV-TFO200	SV-TFO250	SV-TFO300
7	1	Flange Seat	SV-TFSV150	SV-TFSV200	SV-TFSV250	SV-TFSV300
8	1	Tank Body	SV-TBLC150	SV-TBLC200	SV-TBLC250	SV-TBLC300
9	4	Tank Flange Bolt	SV-TFBM12X25			
10	1	Tank Body Seal	SV-TBSP150	SV-TBSP200	SV-TBSP250	SV-TBSP300
11	1	Tank Bottom Cover O-Ring	SV-TBCOE150200		SV-TBCOE250300	
12	1	Tank Flange Bottom Cover	SV-TFBC150	SV-TFBC200	SV-TFBC250	SV-TFBC300
13	1	Clamp	13MHHM300SN		13MHHM400SN	
14	1	Rotating Stem	SV-SR150200		SV-SR250300	
15	1	Fixed Gear	SV-HFG150400			
16	1	Handle	SV-H150200		SV-H250300	
17	1	Round Clip	SV-HRC150300			
18	1	Sink Bolt	SV-HM5X6			

Dixon Sanitary

N25 W23040 Paul Road • Pewaukee, WI 53072
 ph: 800.789.1718 • 262.513.6900 • fx: 800.789.4046 • 262.513.4904
dixonvalve.com