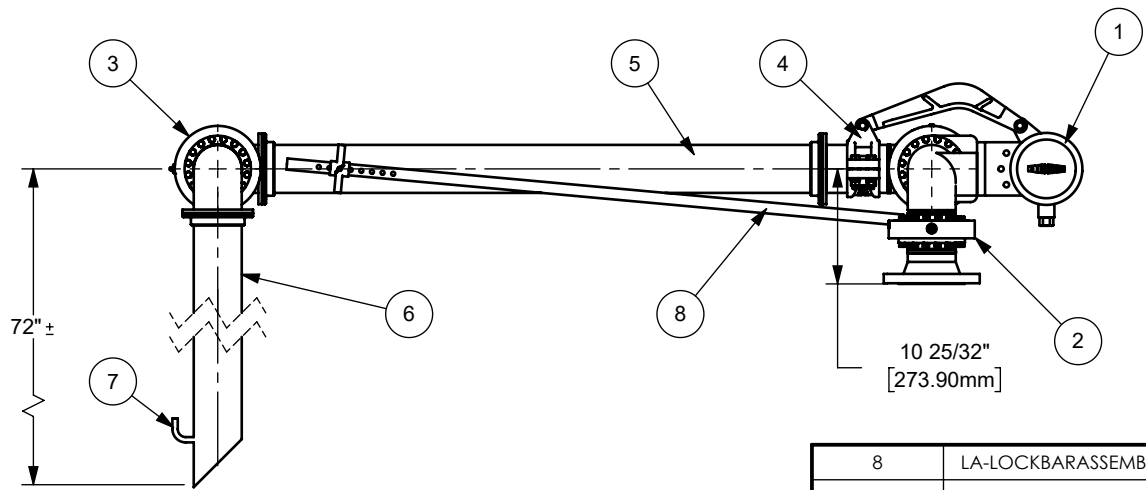
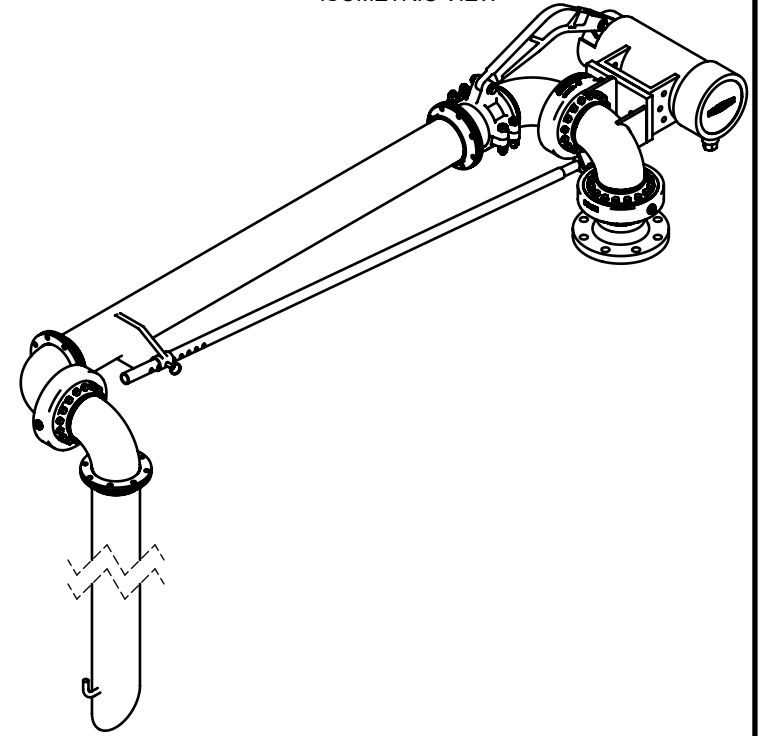


ISOMETRIC VIEW



8	LA-LOCKBARASSEMBLY	LOCKING BAR MECHANISM	-	1
7	LA-BUCKETHOOK	1/2INCH SOLID ROD	STAINLESS STEEL BAR	1
6	4LC1-TFX45-68	SCHEDULE 10 PIPE WITH 45° X TTMA FLANGE	CARBON STEEL	1
5	4LCS-TFXTF-56	SCHEDULE 40 PIPE WITH TTMA FLANGES	CARBON STEEL	1
4	ESB-CLAMP-4	4" CLAMP	IRON	1
3	SF440TFXTFCS	4" SPLITFLANGE STYLE 40 WITH TTMA FLANGES	CARBON STEEL	1
2	SF450FGXTFCS10CB	4INCH SPLITFLANGE STYLE 50 SWIVEL WITH 150 lbs. X TTMA FLANGES AND CB MOUNT	CARBON STEEL	1
1	ESB1-B	COUNTERBALANCE	-	1
ITEM NO.	PART NUMBER	DESCRIPTION	MATERIAL	QTY.

CUSTOMER APPROVAL: _____ DATE: _____

NOTE:
Loading arms have been designed to work in a set range of motion and calculated to balance the provided equipment. If additional items are installed (such as tie-down chains, drip buckets, valves, vapor hoses etc.) it will adversely affect the balance and range of the loading arm. All loading arms are custom made to order and are not returnable, however Dixon is committed to providing a solution to any unforeseen issue.



The Right Connection™

dixonvalve.com

PROPRIETARY AND CONFIDENTIAL

This drawing is owned by Dixon Valve & Coupling Co. and shall be returned upon demand. It is loaned on condition that it shall not be copied or reproduced or submitted to others without the owners consent. In accepting it subject to this condition the recipient further agrees that this drawing or any design detail or concept disclosed herein shall not be used in any way detrimental to or in competition with the owner. If the recipient does not agree to the terms of this agreement they shall return this drawing immediately. The information contained in this drawing is subject to change without notice.

DIXON U.S.A.
THE RIGHT CONNECTION™

TITLE: 4" RIGHT HAND HORIZONTAL LOADING ARM

MATERIAL: SEE BOM

PART NUMBER: **B40602C43010001**

DO NOT SCALE THIS DRAWING