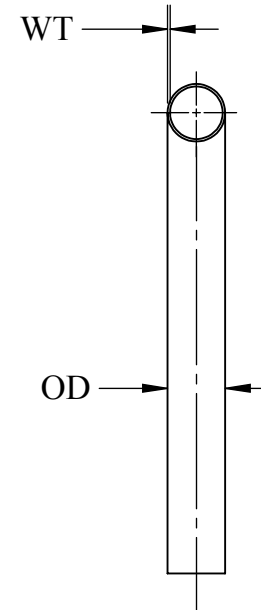
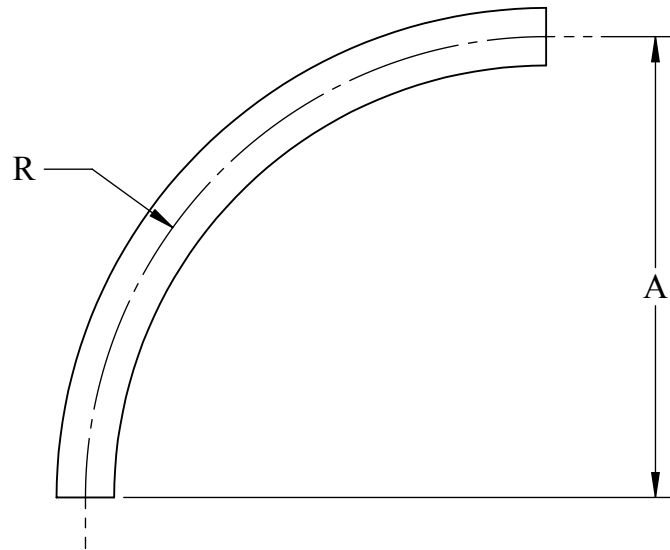
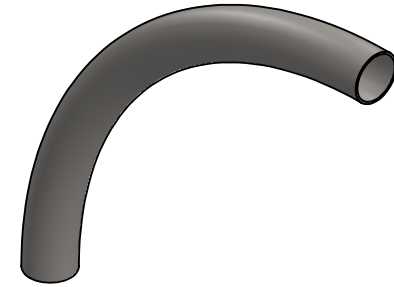


PART NUMBER	A		R		OD		WT	
	IN	MM	IN	MM	IN	MM	IN	MM
B2SXL12-R150	12.0	305	12.0	305	1.50	38.1	0.07	1.7
B2SXL12-R200	12.0	305	12.0	305	2.00	50.8	0.07	1.7
B2SXL12-R300	12.0	305	12.0	305	3.00	76.2	0.07	1.7
B2SXL12-R400	12.0	305	12.0	305	4.00	101.6	0.08	2.1
B2SXL18-R150	18.0	457	18.0	457	1.50	38.1	0.07	1.7
B2SXL18-R200	18.0	457	18.0	457	2.00	50.8	0.07	1.7
B2SXL18-R250	18.0	457	18.0	457	2.50	63.5	0.07	1.7
B2SXL18-R300	18.0	457	18.0	457	3.00	76.2	0.07	1.7
B2SXL24-R150	24.0	610	24.0	610	1.50	38.1	0.07	1.7
B2SXL24-R200	24.0	610	24.0	610	2.00	50.8	0.07	1.7
B2SXL24-R250	24.0	610	24.0	610	2.50	63.5	0.07	1.7
B2SXL24-R300	24.0	610	24.0	610	3.00	76.2	0.07	1.7
B2SXL36-R300	36.0	914	36.0	914	3.00	76.2	0.07	1.7
B2SXL36-R400	36.0	914	36.0	914	4.00	101.6	0.08	2.1



PROPRIETARY AND CONFIDENTIAL

This drawing is owned by Dixon Valve & Coupling Co. and shall be returned upon demand. It is loaned on condition that it shall not be copied or reproduced or submitted to others without the owners consent. In accepting it subject to this condition the recipient further agrees that this drawing or any design detail or concept disclosed herein shall not be used in any way detrimental to or in competition with the owner. If the recipient does not agree to the terms of this agreement they shall return this drawing immediately. The information contained in this drawing is subject to change without notice.

DO NOT SCALE THIS DRAWING

DIXON  **U.S.A.**

THE RIGHT CONNECTION™

DESCRIPTION:

WELD SWEEP ELBOW

MATERIAL(S):

316L STAINLESS

PART NUMBER:

B2SXL