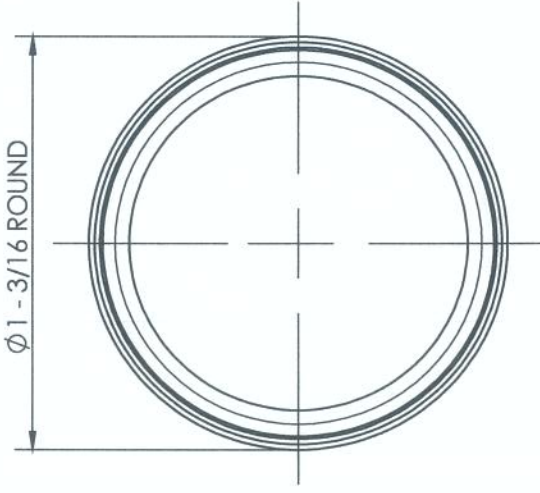
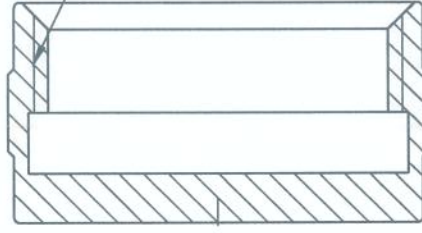
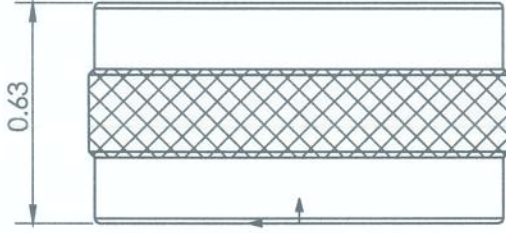


LINE DRAWING NOT FOR PRODUCTION PURPOSES



MATERIAL 1 - 3/16 RD ALLOY 360 BRASS

This drawing is owned by Dixon Valves, Coupling Co. and shall be returned upon demand. It is loaned on condition that it shall not be copied or reproduced or submitted to others without the owners consent. In no event shall the recipient be held liable for any loss or damage to the original drawing or drawings. The recipient shall retain the original drawing and shall not be used in any way detrimental to or in competition with the owner. If the recipient does not agree to the terms of this agreement they shall return this drawing immediately. The information contained in this drawing is subject to change without notice.

**Dixon Brass**  
Westmont, Illinois USA

DRAWN	DATE
HENRY B.	10/19/17
APPROVED	DATE
ECCO NO.	

DO NOT SCALE THIS DRAWING	
SIZE	REV
A	A
DWG. NO. 5131212N	

TITLE:

HOSE CAP