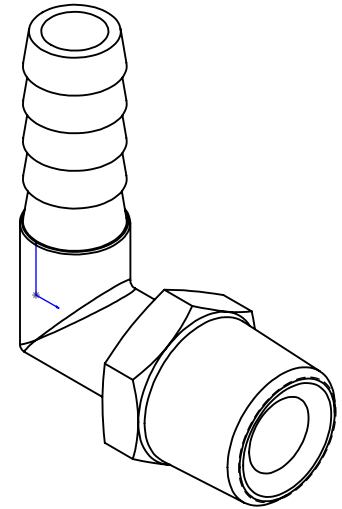
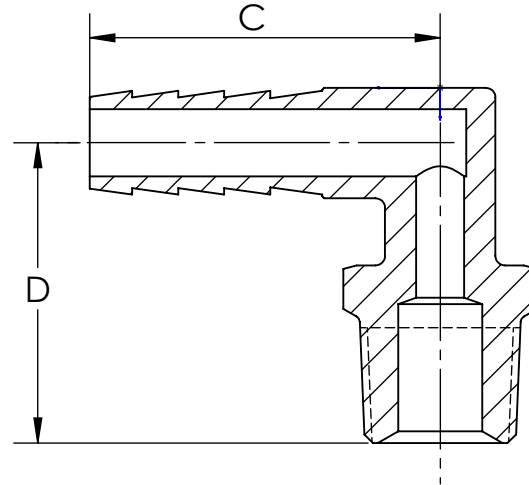
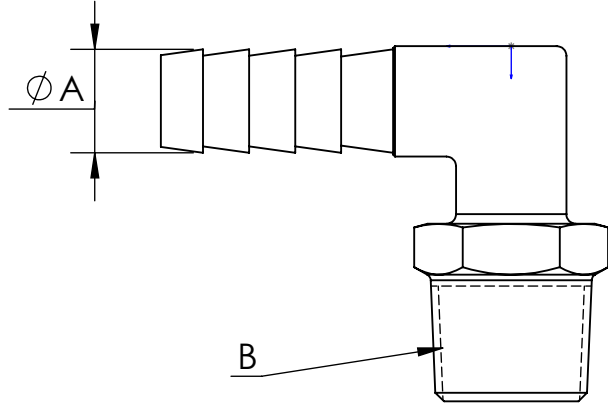


LINE DRAWING NOT FOR PRODUCTION PURPOSES




MATERIAL 316 STAINLESS

PART NUMBER	A HOSE I.D.	B NPT THREAD	C CENTERLINE	NUMBER OF BARBS	D CENTERLINE	HEX SIZE
1290402SS	1/4	1/8-27	1.18	4	.94	7/16
1290404SS	1/4	1/4-18	1.24	4	1.08	9/16
1290604SS	3/8	1/4-18	1.58	4	1.13	9/16
1290606SS	3/8	3/8-18	1.58	4	1.08	11/16
1290804SS	1/2	1/4-18	1.46	4	1.16	9/16
1290806SS	1/2	3/8-18	1.72	4	1.22	3/4
1290808SS	1/2	1/2-14	1.82	4	1.58	7/8
1291208SS	3/4	1/2-14	2.11	4	1.47	7/8
1291212SS	3/4	3/4-14	2.31	4	1.86	1" 3/16
1291616SS	1"	1-11.5	3.31	4	2.05	1" 3/8

REV	COMMENTS	DATE
B	ADDED HEX SIZE	10/27/20

This drawing is owned by Dixon Valve & Coupling Co. and shall be returned upon demand. It is loaned on condition that it shall not be copied or reproduced or submitted to others without the owners consent. In accepting it, subject to this condition, the recipient further agrees that this drawing or any design detail or concept disclosed herein shall not be used in any way detrimental to or in competition with the owner. If the recipient does not agree to the terms of this agreement they shall return this drawing immediately. The information contained in this drawing is subject to change without notice.

 The Right Connection™	<b>Dixon Brass</b> Westmont, Illinois USA	DRAWN P. MONAGHAN	DATE 10/26/20
		APPROVED	DATE
TITLE: 90° ELBOW - CASTING		DO NOT SCALE THIS DRAWING	
SIZE <b>A</b>	DWG. NO. 129 SERIES	REV B	