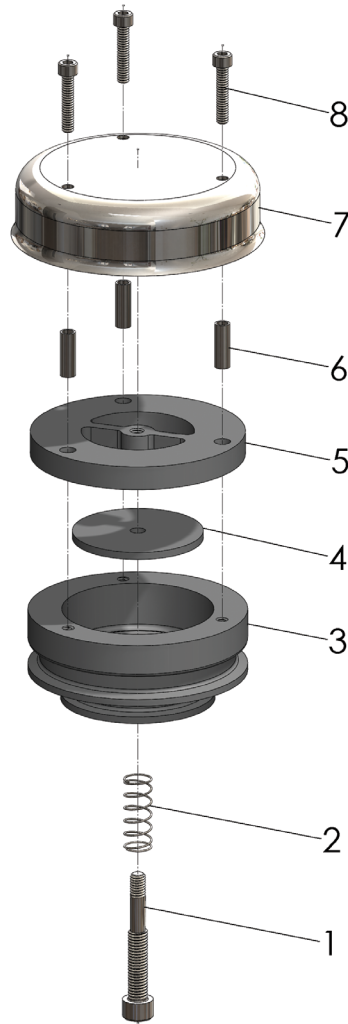




The Right Connection®

Air & Vacuum Relief Tank Vent Valve

Bill of Materials



Item	Description	Material	Quantity
1	spring bolt	304 stainless steel	1
2	spring	304 stainless steel	1
3	body	PVC	1
4	check plate	PVC	1
5	flow plate	PVC	1
6	spacer	304 stainless steel	3
7	cap	304 stainless steel	1
8	cap bolt	304 stainless steel	3

Dixon Sanitary

N25 W23040 Paul Road • Pewaukee, WI 53072

ph: 800.789.1718 • 262.513.6900 • fx: 800.789.4046 • 262.513.4904

dixonvalve.com

Printed in the USA