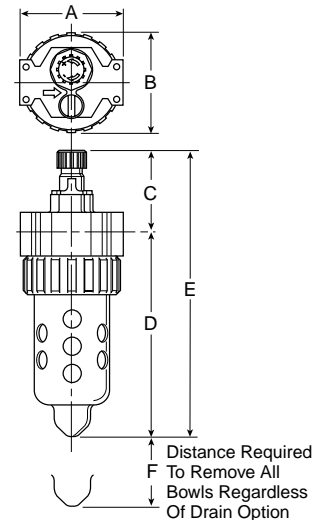


**L606 Micro-Mist Lubricators – Compact**



**Features**

- Proportional oil delivery over a wide range of air flows
- Generates oil particles of 5 micron or smaller downstream to lubricate systems having complex piping arrangements
- Precision needle valve assures repeatable oil delivery and provides simple adjustment of delivery rate
- Ideal for low and high flow applications with changing air flow
- Transparent sight dome for 360° visibility.
- Yellow fill cap identifies Micro-Mist Lubricator
- High Flow: 1/4" – 40 SCFM §  
 3/8" – 60 SCFM §  
 1/2" – 90 SCFM §



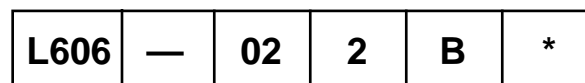
Port Size	NPT	
	Twist Drain	No Drain
Poly Bowl <sup>‡</sup> / Metal Guard		
1/4"	—	<b>L606-022B*</b>
3/8"	—	<b>L606-032B*</b>
1/2"	—	<b>L606-042B*</b>
Metal Bowl / Sight Gauge		
1/4"	<b>L606-024B*</b>	—
3/8"	<b>L606-034B*</b>	—
1/2"	<b>L606-044B*</b>	—

L606 Lubricator Dimensions			
A	B	C	D
2.81 (71)	2.74 (70)	2.24 (57)	5.58 (142)
D <sup>†</sup>	E	E <sup>†</sup>	F
5.69 (145)	7.82 (199)	7.93 (201)	2.25 (57)

Inches (mm)  
<sup>†</sup> With Twist Drain.

Standard part numbers shown bold.  
 For other models refer to ordering information below.  
<sup>‡</sup> For polycarbonate bowl and sight dome, see Caution on inside cover.  
<sup>§</sup> SCFM = Standard cubic feet per minute at 90 PSIG inlet and 5 PSIG pressure drop.

**Ordering Information**



Port Threads
— NPT
G* BSPP

\* 1/4 & 3/8 inch meet ISO 1179-1 Standard.

Port Size
<b>02</b> 1/4 Inch
<b>03</b> 3/8 Inch
<b>04</b> 1/2 Inch

Bowl Options	
Polycarbonate Bowl	Metal Bowl
<b>2</b> Metal Bowl Guard / No Drain	<b>4</b> Sight Gauge / Twist Drain
<b>6</b> Metal Bowl Guard / Pressure Fill	<b>8</b> Sight Gauge / Pressure Fill

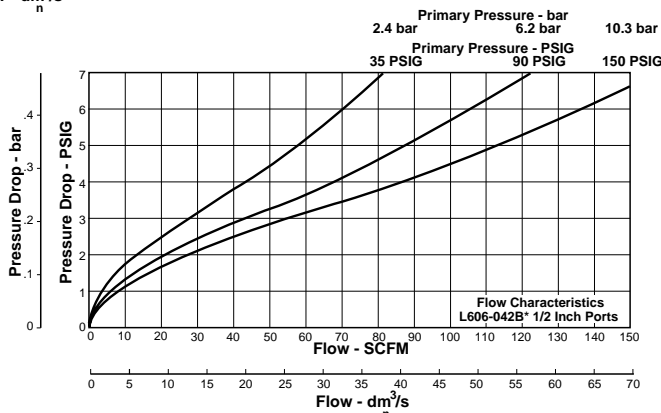
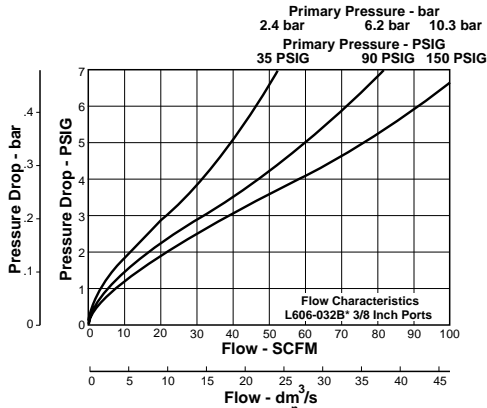
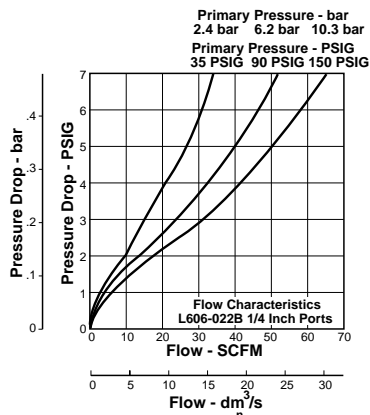
Options
<b>B</b> With Fill Plug
C With Fill Plug/Nylon Sight Dome
F With Body Pressure Fill
G With Body Pressure Fill / Nylon Sight Dome

Engineering Level
* Will be Entered at Factory.

**BOLD ITEMS ARE MOST POPULAR.**



**Technical Information**



**L606 Micro-Mist Lubricator  
 Kits & Accessories**

- Adjustment Knob ..... P04121
- Adjustment Knob (Old L606)* ..... 606Y72
- Bowl Guard Kit ..... PS705
- Bowl Kits –**
- Poly Bowl – No Drain..... PS746
- Twist Drain ..... PS717
- Pressure Fill ..... PS719
- Plastic Bowl Guard (Old L606)*..... BK606Y
- Metal Bowl – Sight Gauge / Twist Drain..... PS729
- Sight Gauge / Pressure Fill..... PS720
- Zinc with Sight Gauge (Old L606)*.....BK605WY
- Drain Kit – Twist Drain**..... PS512
- Fill Cap Kit**..... PS742
- Lubricator Service Kit** ..... PS748
- Mounting Bracket Kit** ..... PS743
- Mounting Bracket Kit (Old L606)* ..... SAF602-0571
- Oil –** 1 Gal. .... F442002
- 12 Quart Case ..... F442003
- 4 Gallon Case..... F442005
- Pressure Fill Adapter Kit** ..... PS716
- Pressure Fill Button** ..... P11912
- Button Head Fill Fitting (M14 Male Thread) (Old L606)**.....L606C14
- Drip Tube Kit (Old L606)**..... DTK606
- Drip Spout Kit (Old L606)**..... RK606SY
- Sight Dome / Fill Cap Kit**..... PS739
- Nylon Sight Dome Kit** ..... PS740N
- Repair Kits –**
- Needle Valve Assembly (B, W) (Old L606)*.....RK606Y
- Sight Gauge for “W” Bowl (Old L606)*..... RKB605WY

**Specifications**

- Bowl Capacity** ..... 2.60 Ounces
- Minimum Flow for Lubrication** ..... 1 SCFM at 100 psig
- Port Threads**..... 1/4, 3/8, 1/2 Inch
- Pressure & Temperature Rating –**
- Polycarbonate Bowl – 0 to 150 psig (0 to 10.3 bar)  
     32°F to 125°F (0°C to 52°C)
- Metal Bowl – 0 to 250 psig (0 to 17.2 bar)  
     32°F to 175°F (0°C to 80°C)
- Suggested Lubricant** .....F442 Oil
- Petroleum based oil of 100 to 200 SSU viscosity at 100°F (38°C)  
     and an aniline point greater than 200°F (93°C)
- (DO NOT USE OILS WITH ADDITIVES, COMPOUNDED OILS  
     CONTAINING SOLVENTS, GRAPHITE, DETERGENTS, OR  
     SYNTHETIC OILS.)
- Weight** ..... 1.2 lb. (.5 kg)
- Materials of Construction**
- Body** ..... Zinc
- Bowls –** Transparent ..... Polycarbonate
- Metal (With Sight Gauge)..... Zinc
- Bowl Guard** ..... Steel
- Collar** ..... Plastic
- Drain – Twist – Body & Nut** ..... Plastic
- Injector Meter Block & Base Assembly** ..... Plastic
- Seals** ..... Nitrile
- Sight Dome** ..... Polyamide (Nylon)
- Sight Gauge** ..... Polyamide (Nylon)

