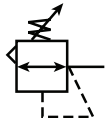


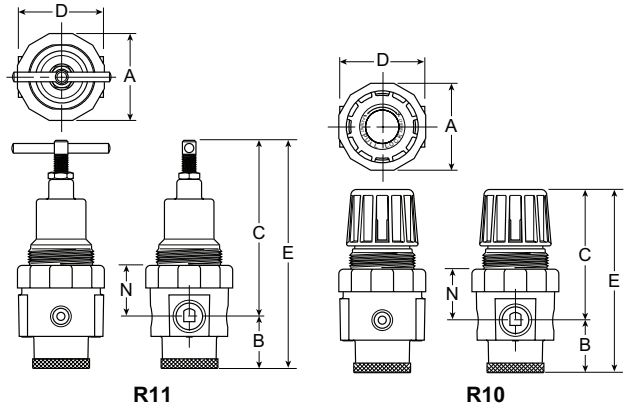
R10 / R11 General Purpose Regulators

B



Features

- High Flow Performance
Featuring Rugged Design for the Most Demanding Applications
- Diaphragm Operated Design with Balanced Poppet Design for Quick and Accurate Regulation
- Accurate Pressure Regulation
- Panel Mountable
- High Flow: 1/4" - 80 SCFM§
3/8" - 80 SCFM§
1/2" - 100 SCFM§
- **R10:** Push-to-Lock, Pull-to-Adjust. Adjusting Lock is engaged when Knob is Removed Rendering Unit Tamper Resistant
- **R11:** Heavy Duty Tee Handle Adjustment



Port Size	R10 NPT	R11 NPT
	Relieving	Relieving
Without Gauge 0-125 PSIG Reduced Pressure		
1/4"	R10-02C	R11-02C
3/8"	R10-03C	R11-03C
1/2"	R10-04C	R11-04C
With Gauge 0-125 PSIG Reduced Pressure		
1/4"	R10-02CG	R11-02CG
3/8"	R10-03CG	R11-03CG
1/2"	R10-04CG	R11-04CG

R10 Regulator Dimensions					
A	B	C	D	E	N
R10					
2.25 (57)	1.40 (36)	3.38 (86)	2.33 (59)	4.78 (121)	1.38 (35)
R11					
2.25 (57)	1.40 (36)	4.72 (120)	2.33 (59)	6.13 (156)	1.38 (35)

inches
(mm)

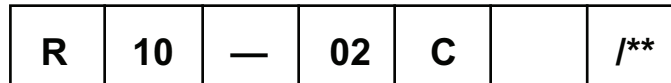
NOTE: 1.75 Dia. (44mm) hole required for panel mounting.

Bold items are most popular.

For other models refer to ordering information below.

§ SCFM = Standard cubic feet per minute at 100 PSIG inlet, 75 PSIG no flow secondary setting, and 20 PSIG pressure drop.

Ordering Information



Series
10 Tamper Resistant, Snap Lock, Removable Knob
11 Tee Handle Adjustment

Port Threads
— NPT
G BSPP

Port Size
02 1/4 Inch
03 3/8 Inch
04 1/2 Inch

Reduced Pressure Range
A 0-25 PSIG
B 0-60 PSIG
C 0-125 PSIG
D 0-250 PSIG

Options
G Gauge
K Non-Relieving
P Panel Mount Nut
X64** Fluorocarbon O-Rings and Diaphragm
N Panel Mount Threads at Top of Bonnet (R11 Only)
X81** Brass Body
X8** Low Temp. Version
X7* Brass Bottom Plug

Engineering Change Designator
Will be entered at factory.

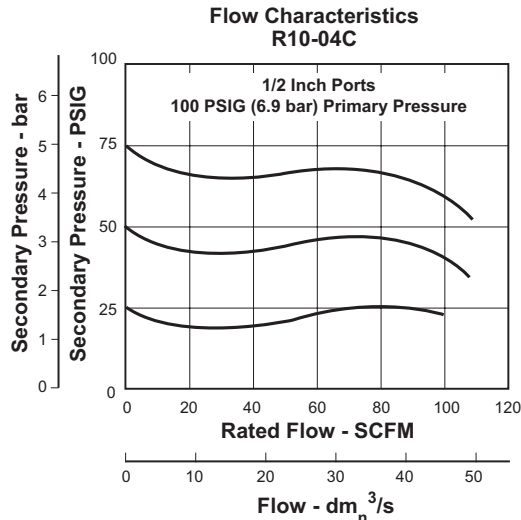
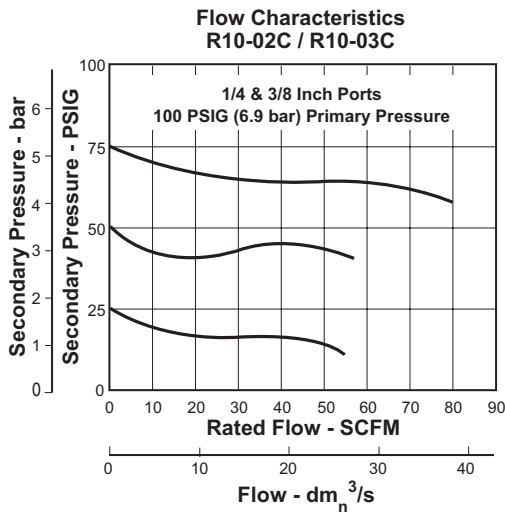
***NOTE:** Beginning January 2008, Brass Bottom Plug is Optional - Nylon is Standard.

** Brass Bottom Plug Standard with X64, X81, and X8 Options.

BOLD ITEMS ARE MOST POPULAR.



Technical Information



⚠ WARNING

**Product rupture can cause serious injury.
Do not connect regulator to bottled gas.
Do not exceed maximum primary pressure rating.**

⚠ CAUTION:

REGULATOR PRESSURE ADJUSTMENT – The working range of knob adjustment is designed to permit outlet pressures within their full range. Pressure adjustment beyond this range is also possible because the knob is not a limiting device. This is a common characteristic of most industrial regulators, and limiting devices may be obtained only by special design. For best performance, regulated pressure should always be set by increasing the pressure up to the desired setting.

R10 / R11 Regulator Kits & Accessories

- Control Knob (R10) R10Y54
- Tee Handle (R11) SA16Y53
- Gauges –
 - 2" Dial Size, 1/4" Back Connection
0 to 60 PSIG (0 to 400 kPa) K4520N14060
 - 2" Dial Size, 1/4" Back Connection
0 to 160 PSIG (0 to 1100 kPa) K4520N14160
 - 2" Dial Size, 1/4" Back Connection
0 to 300 PSIG (0 to 2068 kPa) K4520N14300
- Mounting Bracket Kit SAR10Y57
- Panel Mount Nut –
 - Plastic R10X51-P
 - Aluminum R10X51-A
- Repair Kits –
 - Non-Relieving RKR10KY
 - Non-Relieving (Viton) RKR10KYX64
 - Relieving RKR10Y
 - Relieving (Viton) RKR10YX64
- Cage Kit –
 - R10 CKR10Y
 - R11 CKR11Y

Specifications

- Gauge Ports (2) 1/4 Inch
- Port Threads 1/4, 3/8, 1/2 Inch
- Supply Pressure 300 PSIG Maximum (20.4 bar)
- Temperature Rating 40°F to 125°F (4.4°C to 52°C)
- Weight 1.3 lb. (0.59 kg) / Unit
32 lb. (14.51 kg) / 24-Unit Master Pack

Materials of Construction

- Adjusting Knob –
 - R10 Acetal
 - R11 (Tee Handle) Steel
- Body Zinc
- Bottom Plug Nylon
Optional Brass
- Elastomers Buna N
- Spring Case –
 - R10 Acetal
 - R11 Zinc

