

# Lubricator

## L26 EconOmist™

## L27 AtoMist™

= "Most Popular"

### Specifications

Flow Capacity*	1/4	35 SCFM (16.5 dm <sup>3</sup> /s)
	3/8	60 SCFM (28.3 dm <sup>3</sup> /s)
	1/2	128 SCFM (60.4 dm <sup>3</sup> /s)
Maximum Supply Pressure	Plastic Bowl	150 PSIG (10.3 bar)
	Metal Bowl	200 PSIG (13.8 bar)
Operating Temperature	Plastic Bowl	32° to 125°F (0° to 52°C)
	Metal Bowl	32° to 150°F (0° to 65.5°C)
Port Size	NPT / BSPP-G	1/4, 3/8, 1/2
Bowl Capacity	L26	10.0 oz
	L27	6.6 oz

Weight 2.4 lb. (1.07 kg)

\* Inlet pressure 150 PSIG (10.3 bar). Pressure drop 5 PSID (0.3 bar).

### Materials of Construction

Body	Zinc	
Bowls	Plastic Bowl	Polycarbonate
	Metal Bowl	Zinc
Seals	Plastic Bowl	Nitrile
	Metal Bowl	Fluorocarbon
Sight Gauge	Metal Bowl	Nylon
Sight Dome	Nylon	
Suggested Lubricant	Airline Oil F442001	

B

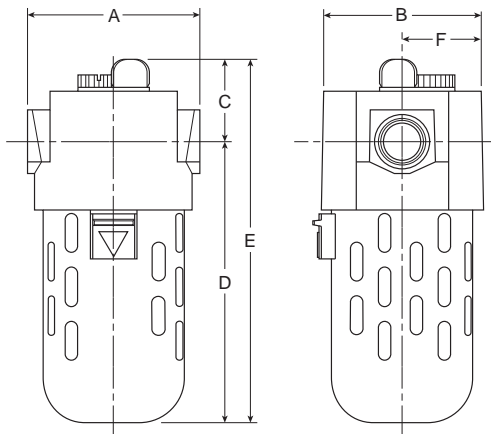
Filters, Regulators, Lubricators



L26 / L27-02-000

### Features

- L26 Model Can be Filled with Lubricant while Under Pressure (**L27 AtoMist™ Cannot be Filled Under Pressure**)
- Siphon Tube Filter Provides Clean Lubricant Downstream
- Quick-Disconnect Bowl Guard with Integral Plastic Bowl and Safety Latch
- Adjustable Oil Feed
- Optional Petcock Drain in Polycarbonate Bowl



### Dimensions

Models	Inches (mm)	A	B	C	D	E	F
Standard Unit L26-XX-000 & L27-XX-000		3.35 (85)	3.06 (78)	1.60 (41)	5.46 (139)	7.06 (179)	1.53 (38.9)
Manual Drain L26-XX-D00 & L27-XX-D00		3.35 (85)	3.06 (78)	1.60 (41)	6.42 (163)	7.76 (197)	1.53 (38.9)
Metal Bowl with Sight Gauge L26-XX-G00 & L27-XX-G00		3.35 (85)	3.06 (78)	1.60 (41)	6.42 (163)	7.80 (198)	1.53 (38.9)

= "Most Popular"

### Replacement Bowl Kits

Metal Bowl / Sight Gauge, Brass Petcock Drain..... GRP-95-931

Plastic Bowl –

No Drain Port.....LRP-96-938

Plastic Petcock Drain .....LRP-95-958

Plastic Bowl / Guard, Brass Petcock Drain .....LRP-95-967

### Replacement Kits

Fill Plug Kit – Fill Plug and O-ring ..... LRP-95-253

Flow Guide –

1/4 NPT / BSPP-G, L26 ..... LRP-95-241

3/8 NPT / BSPP-G, L26..... LRP-95-242

1/2 NPT / BSPP-G, L26 ..... LRP-95-243

1/4 NPT / BSPP-G, L27 ..... LRP-95-246

3/8 NPT / BSPP-G, L27 ..... LRP-95-247

1/2 NPT / BSPP-G, L27 ..... LRP-95-248

Sight Dome Kit – Sight Dome and O-ring ..... LRP-95-239

Tube, Siphon – Tube and Bronze Filter .....LRP-96-137

### Accessories

Air Line Oil (1 Qt. Bottle)..... F442001

Auto-Fill™ Adapter Kit ..... LRP-95-965

Low Level Switch .....LRP-95-093

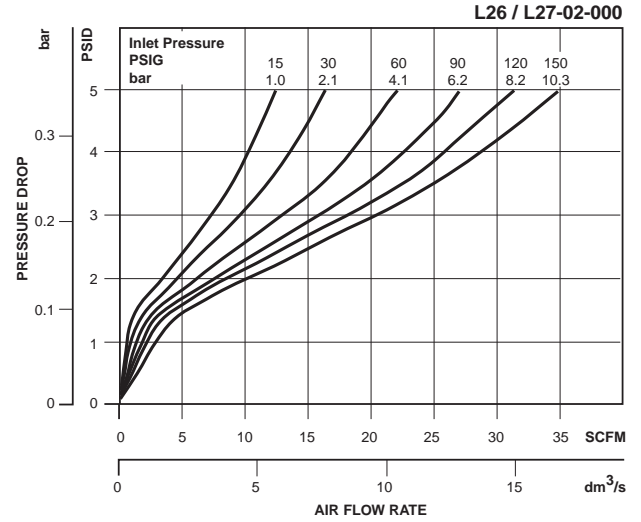
Manual Drain –

Brass Petcock.....GRP-95-182

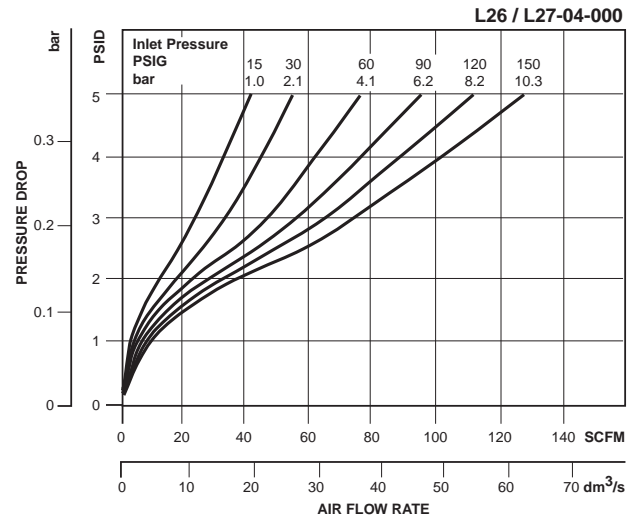
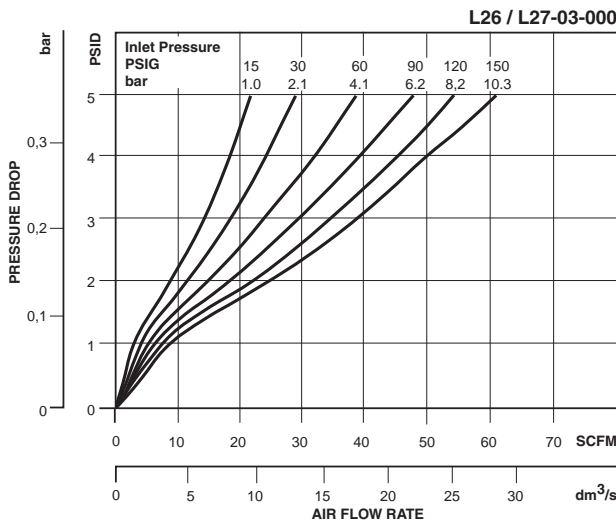
Plastic Petcock .....LRP-95-181

Tamper Resistant Kit..... LRP-95-587

Wall Mounting Bracket, L-Type .....GPA-95-946



**B**  
Filters, Regulators, Lubricators



### Ordering Information

Model Type	Port Size	Polycarbonate Bowl / Bowl Guard	Polycarbonate Bowl / Bowl Guard with Manual Drain	Metal Bowl / Sight Gauge
<b>EconOmist™</b>	1/4	L26-02-000	L26-02-D00	L26-02-G00
	3/8	L26-03-000	L26-03-D00	L26-03-G00
	1/2	L26-04-000	L26-04-D00	L26-04-G00
<b>AtoMist™</b>	1/4	L27-02-000	L27-02-D00	L27-02-G00
	3/8	L27-03-000	L27-03-D00	L27-03-G00
	1/2	L27-04-000	L27-04-D00	L27-04-G00

Options - To order an option supplied with the unit model, add the appropriate coded suffix letter in the designated position of the model number.