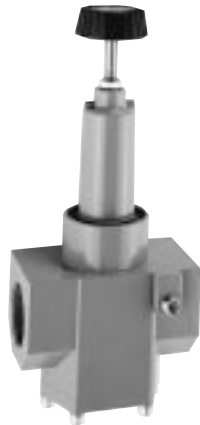
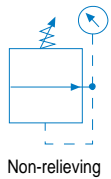
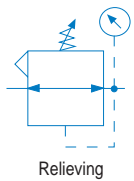


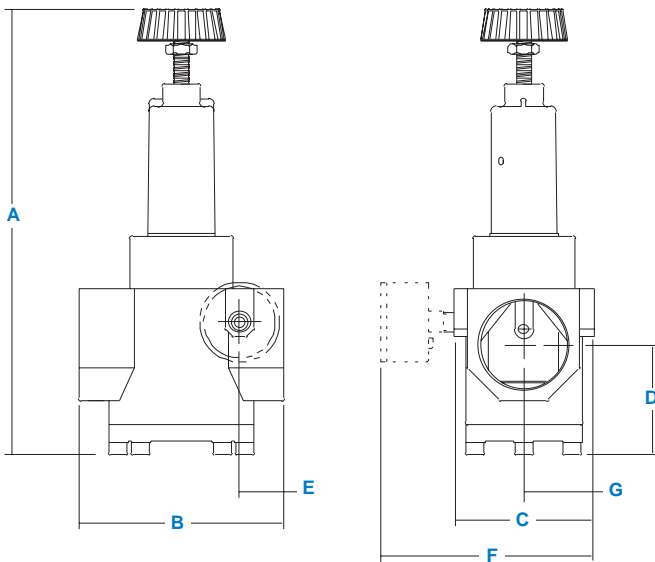
Regulator R40



R40-0B-000

Features

- Balanced valve design.
- Standard self-relieving.
- Two 1/4 NPT/BSPT-Rc gauge ports standard—can be used for additional outlet ports.
- Piston operated.
- High flow capacity.



Dimensions

Models	Inches mm	A	B	C	D	E	F	G
Standard Unit R40-XX-000		11.9 302	5.3 135	3.6 91	2.8 71	1.15 29.2	— —	1.3 33
With Gauge (order separately) R40-XX-XXX		11.9 302	5.3 135	3.6 91	2.8 71	1.15 29.2	5.3 135	1.3 33

Specifications

Flow Capacity*	1 1/2, 2	1200 scfm (566 dm ³ /s)
Maximum Operating Temperature		175°F (79°C)
Maximum Supply Pressure		300 psig (21 bar)
Adjusting Range Pressure		0-125 psig (0-8,5 bar) 0-180 psig (0-12,3 bar)
Port Size	NPT/BSPP-G	1 1/2, 2
Gauge Port (2 ea.)	NPT/BSPT-Rc	1/4
Weight	lb. (kg)	10.8 (4,9)

*Inlet pressure 100 psig (7 bar). Secondary pressure 85 psig (6 bar).

Materials of Construction

Body	Zinc
Bonnet	Zinc
Piston	Zinc
Valve Assembly	Brass/Nitrile/Acetal
Springs	Steel
Seals	Nitrile

For best performance, regulated pressure should always be set by increasing the pressure up to the desired setting.

Replacement Kits

- Piston Assembly—Non-relievingRRP-95-451
- Spring, Regulating, 0-125 psig (0-8,6 bar)RRP-95-226
- Spring, Regulating, 0-180 psig (0-12.4 bar)RRP-95-220
- Spring, Valve.....RRP-95-024
- Valve Assembly (Non-relieving)—Valve, Valve SpringRRP-95-162
- Valve Assembly (Self-relieving)
Valve, Valve Spring, Ret. Ring, O-ringsRRP-95-161

Accessories

- Wall Mounting Bracket, Gauge Port Adapter, 1/4 NPTRRP-95-590
- Gauge, Pressure, 0-160 psig (0-11 bar)
2 Dial Face, 1/4 NPT, CBM.....GRP-95-229
- Gauge, Pressure, 0-300 psig (0-20 bar)
2 Dial Face, 1/4 NPT, CBMRRP-95-231

Ordering Information

Model Type	Port Size	Without Gauge 10-125 psig (0,7-8,5 bar)	High Pressure 10-180 psig (0,7-12,4 bar)
Relieving	1 1/2	R40-0B-000	R40-0B-H00
	2	R40-0C-000	R40-0C-H00
Non-relieving	1 1/2	R40-0B-N00	R40-0B-HN0
	2	R40-0C-N00	R40-0C-HN0

