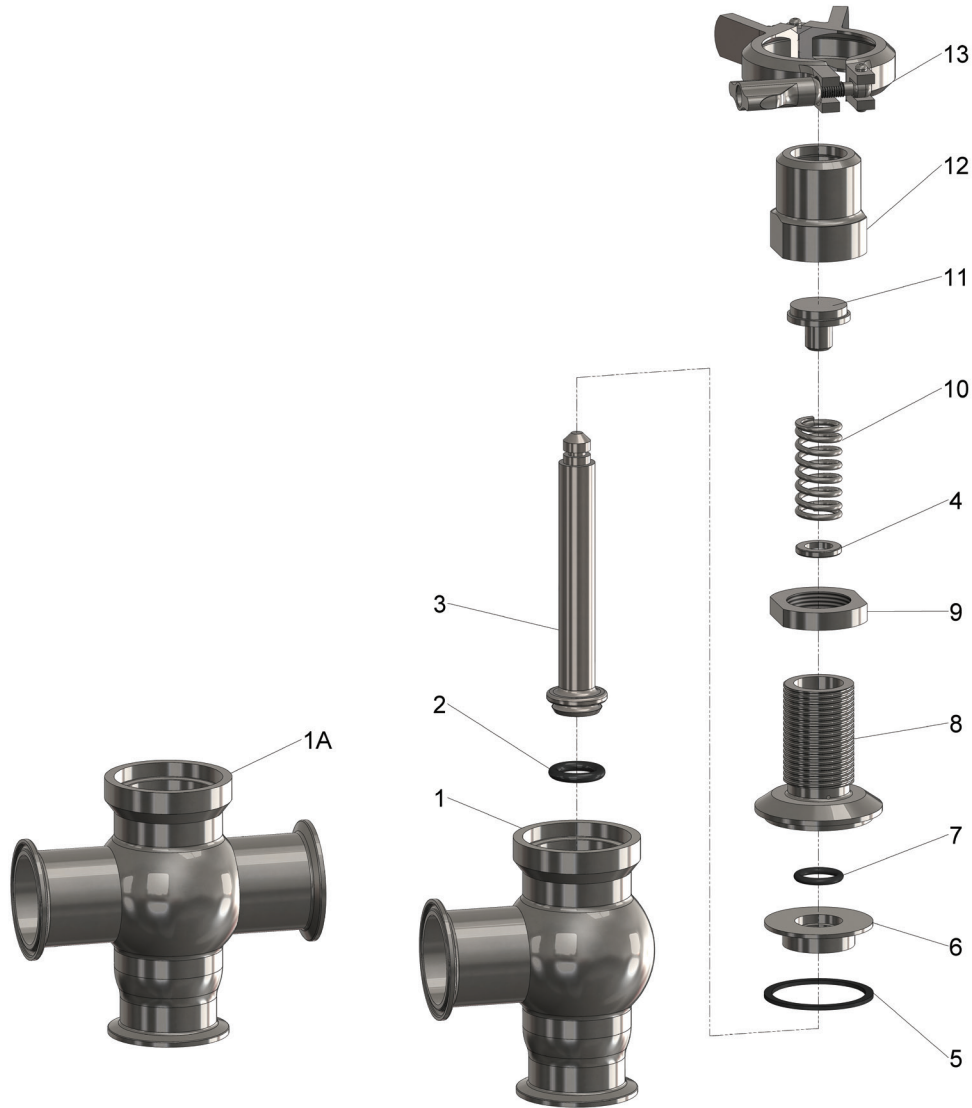


Bill of Materials



| Number | Part | Quantity | Material | Part Number | |
|--------|----------------|----------|------------|-------------------------------|-------------------------------|
| | | | | 1½" | 2" |
| 1 | L body | 1 | 316L | SPR-LBDY150 | SPR-LBDY200 |
| 1A | T body | 1 | 316L | SPR-TBDY150 | SPR-TBDY200 |
| 2 | Seat seal | 1 | FKM / EPDM | SPR-SSV / SPR-SSE | SPR-SSV / SPR-SSE |
| 3 | Stem | 1 | 316L | SPR-STEM150 | SPR-STEM200 |
| 4 | Washer | 1 | 304 | SPR-WSHR | SPR-WSHR |
| 5 | Body gasket | 1 | FKM / EPDM | 40IV150 / 40IE150 | 40IV200 / 40IE200 |
| 6 | Stem holder | 1 | 316L | SPR-SH150 | SPR-SH200 |
| 7 | Stem O-ring | 1 | FKM / EPDM | SPR-SOV / SPR-SOE | SPR-SOV / SPR-SOE |
| 8 | Adapter | 1 | 304 | SPR-ADPTR150 | SPR-ADPTR200 |
| 9 | Locking nut | 1 | 304 | SPR-LN | SPR-LN |
| 10 | Spring | 1 | 316L | SPR-S50/SPR-S100/ SPR-S300 | SPR-S50/SPR-S100/ SPR-S300 |
| 11 | Top cap | 1 | 304 | SPR-TOPCAP | SPR-TOPCAP |
| 12 | Adjustable cap | 1 | 304 | SPR-ADJSTCAP | SPR-ADJSTCAP |
| 13 | Clamp | 1 | 304 | 13IL-Q100150 | 13IL-Q200 |